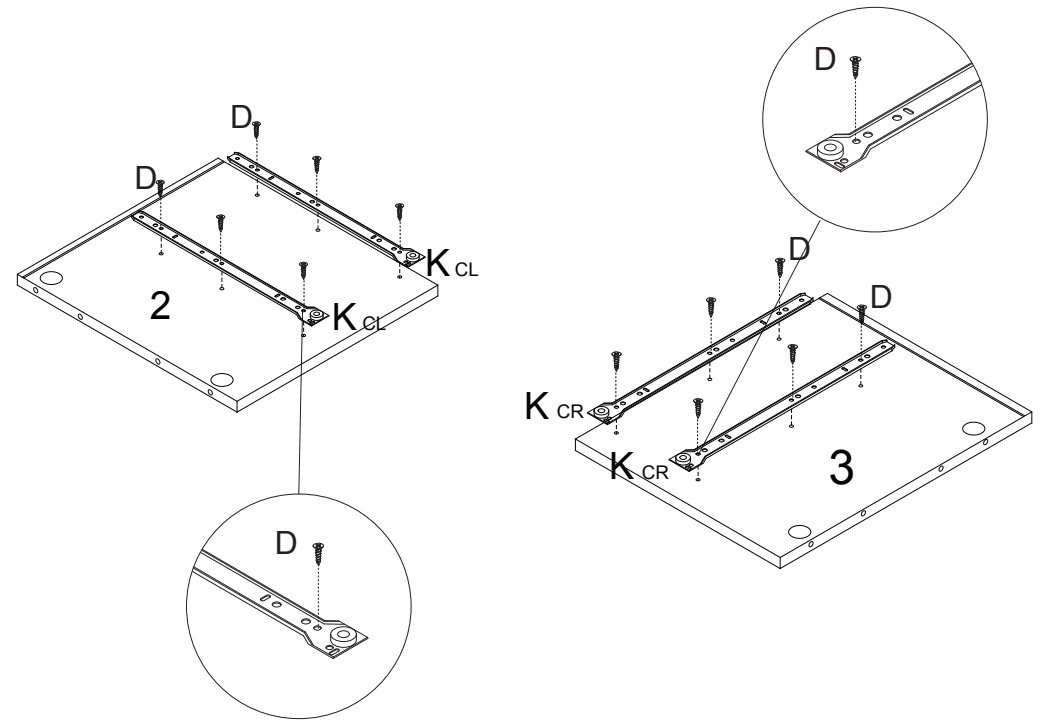


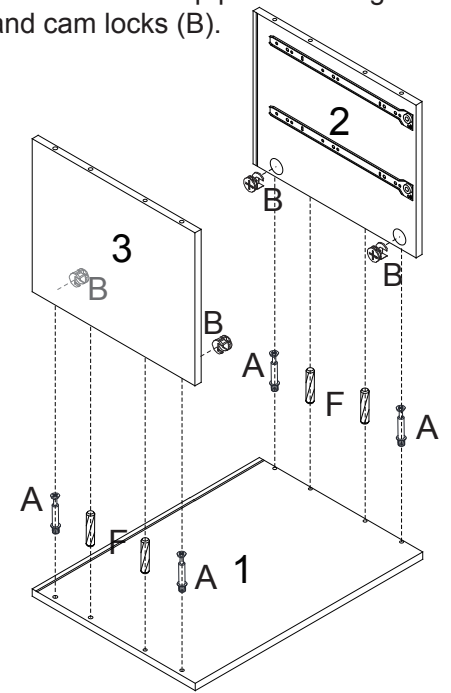
1 Attach the runners K to pieces 2 and 3 as shown. Use screws (D).



2 Then attach pieces 2 and 3 to Top panel 1 using wooden dowels (F), cam dowels (A) and cam locks (B).

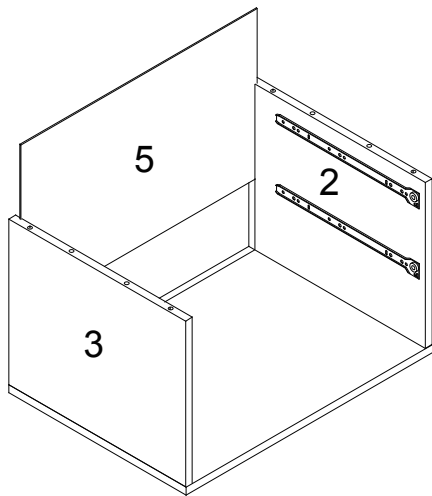
A		12 PCS
B		12 PCS
C		12 PCS
D		24 PCS
E		1 PC
F		8 PCS
G		2 PCS
H		2 PCS

I		8 PCS
J		6 PCS
K		2 PCS
L		2 PCS
M		2 PCS
N		2 PCS
O		2 PCS



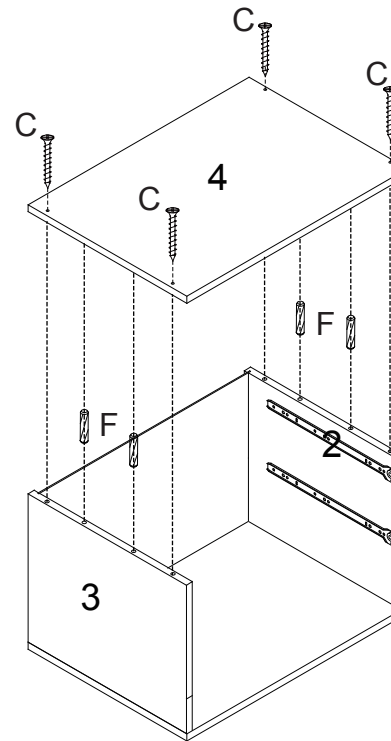
3

Slot in piece 5 to the built-in ridges.



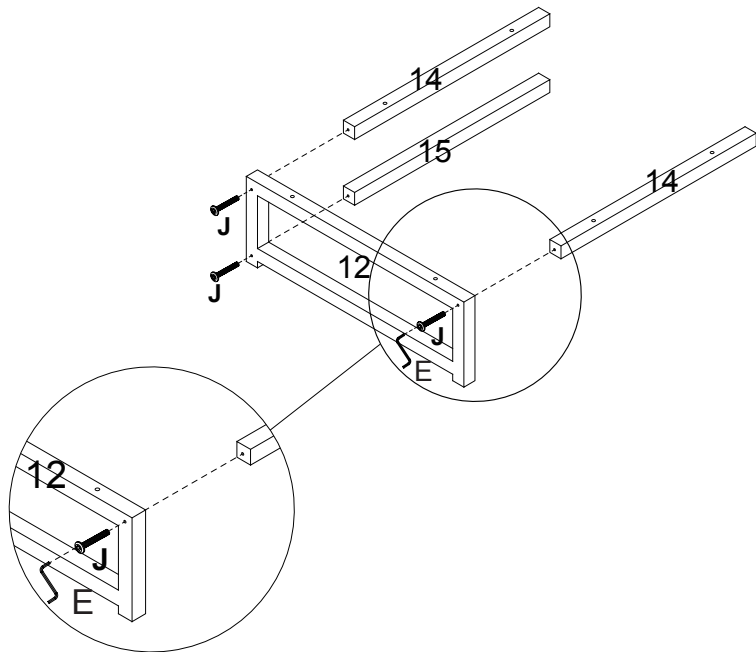
4

Then add piece 4 to the unit using wooden dowels (F), Screw (C).



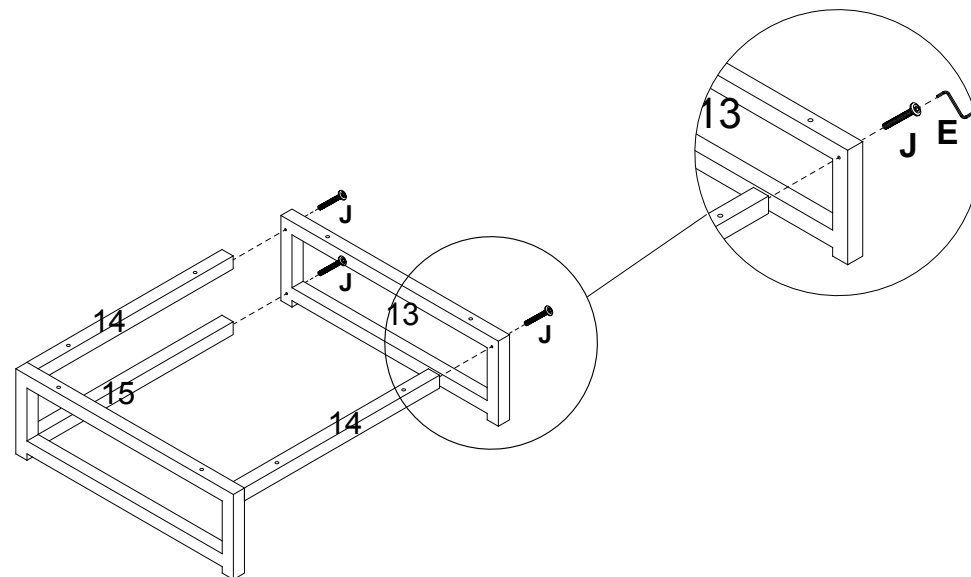
5

Attach piece 14 & 15 to piece 12 using screw (J) with tool (E).

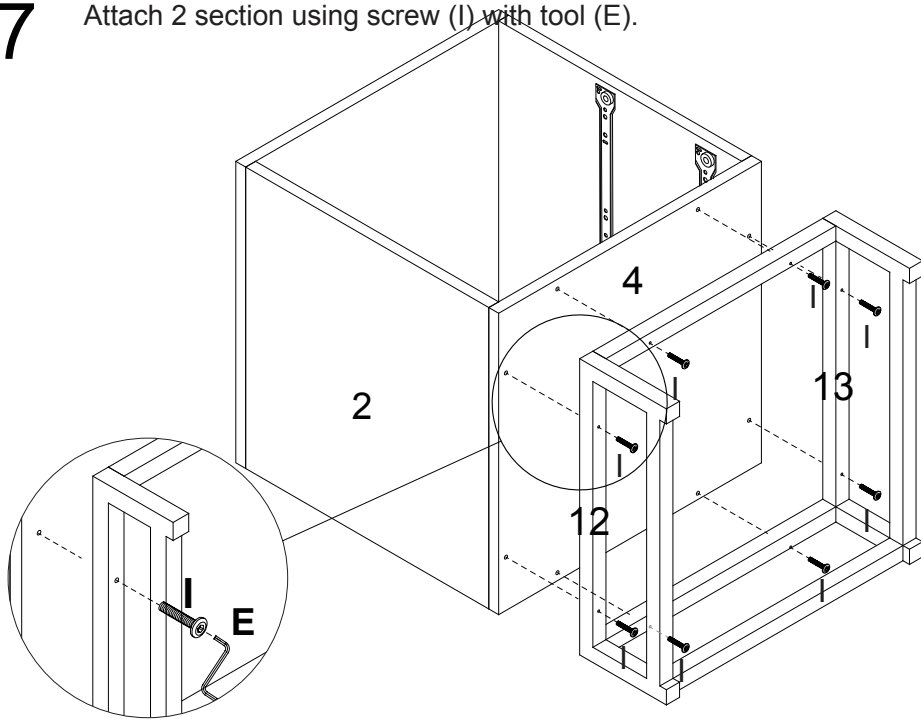


6

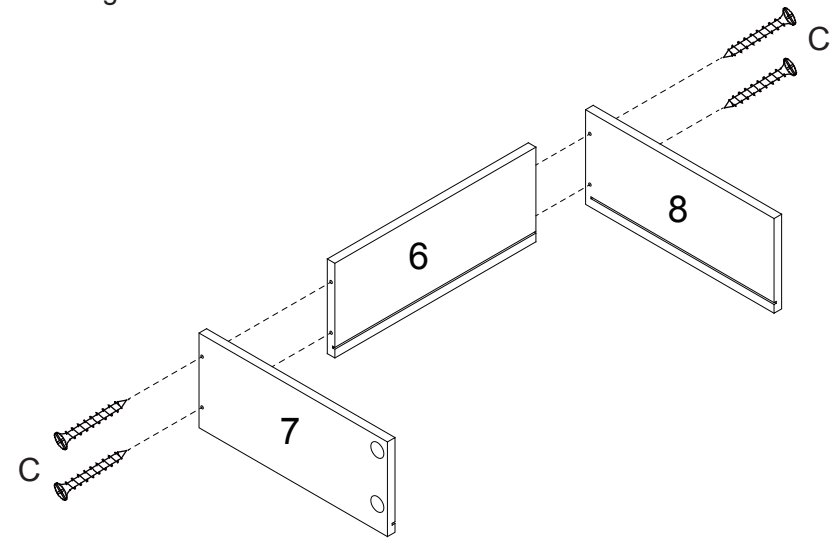
Attach piece 14 & 15 to piece 13 using screw (J) with tool (E).



7 Attach 2 section using screw (I) with tool (E).



8 Attach pieces 6, 7 & 8 using screws (C). Make sure that the built-in ridge is facing inwards and at the bottom.

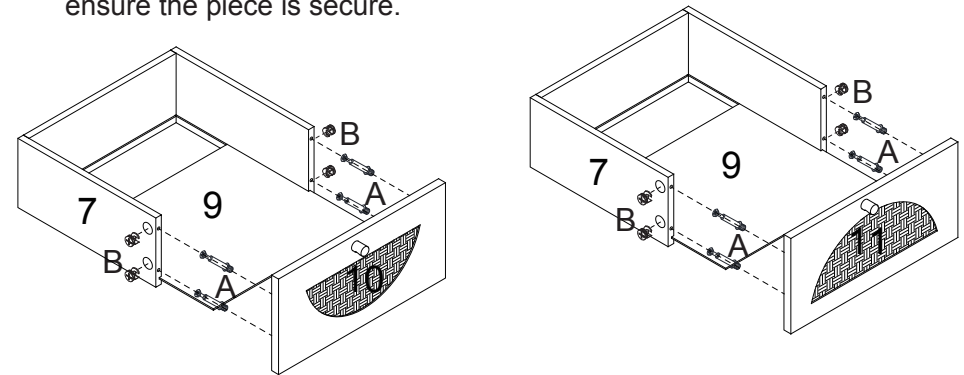


×2

9 On piece 10 & 11, attach the door handles (H) using screws (G).

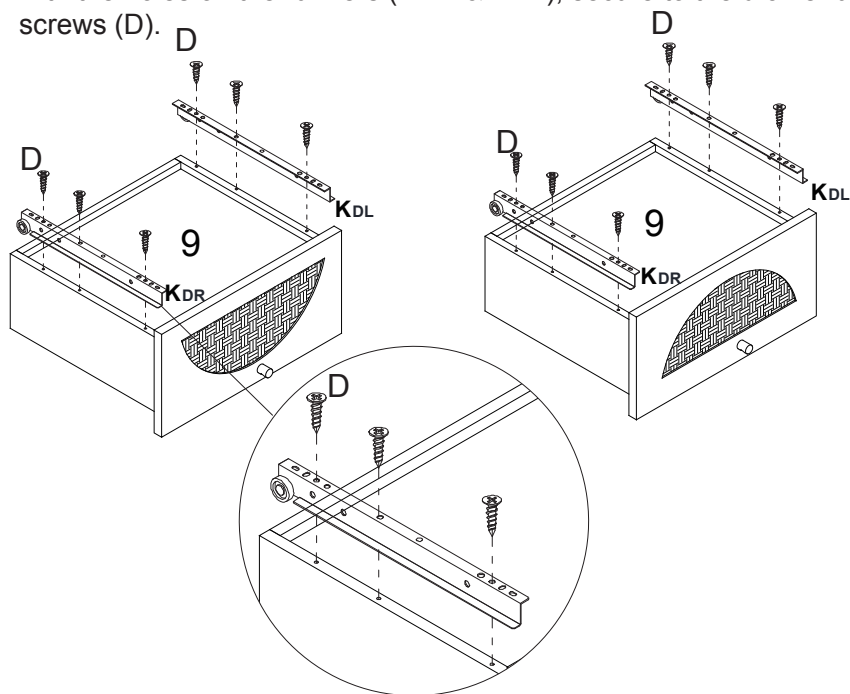


10 Slot piece 9 into the ridges. First insert the cam locks (B) into the pre-drilled holes on parts 7 & 8. Then insert cam dowels (A) into each side, you then need to line up these screws with the pre-drilled holes on the front piece (10 & 11). Once attached, tighten the cam locks (B) using a cross-head screwdriver and ensure the piece is secure.



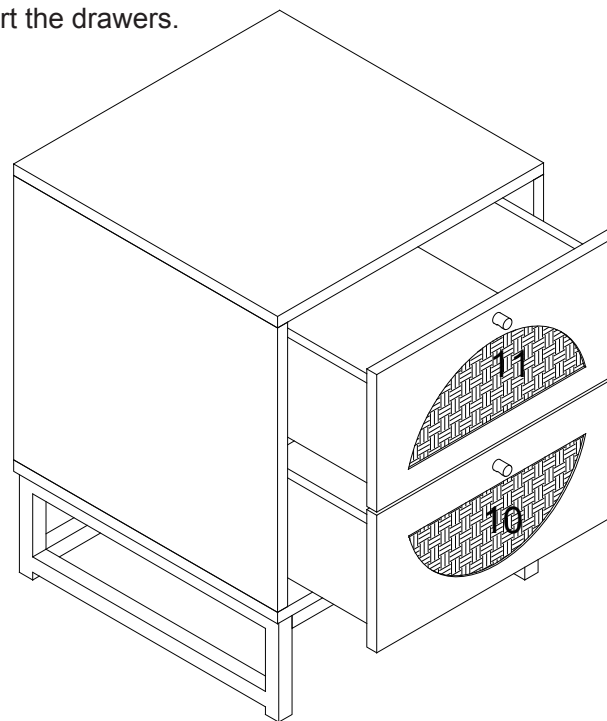
11

Turn the drawer upside down. Line up the holes on the outside pieces with the holes on the runners (KDR & KDL), secure to the drawer using screws (D).



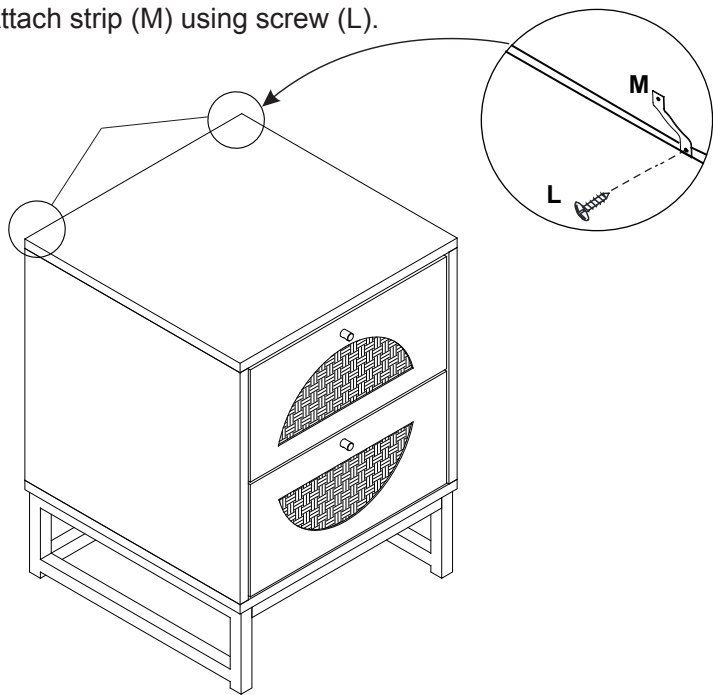
12

Insert the drawers.



13

Attach strip (M) using screw (L).



14

Secure the unit to a wall in your chosen location using wall plugs (N) and screws (O).

